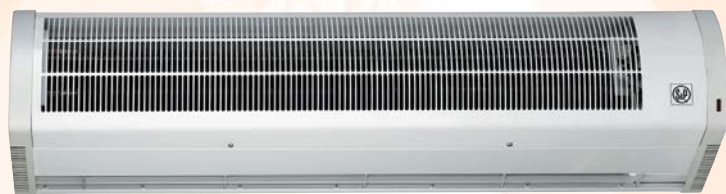


AIR CURTAINS

COR-N Series



Designed for wall application in commercial or industrial environments.

Characteristics:

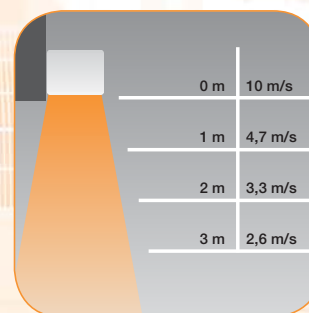
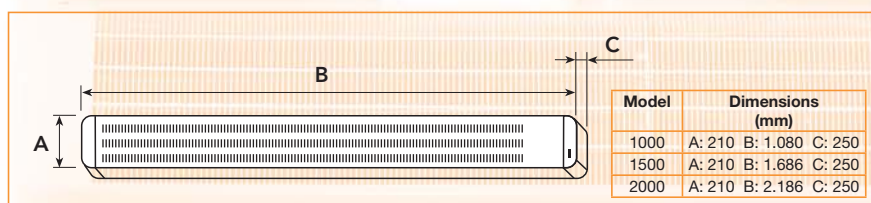
- Can be fitted up to a height of 3 metres.
- High performance tangential propeller/impeller giving a low sound level.
- Can be installed in series.
- Extra low speed in those fans that need a higher output air temperature (warm air versions)

Applications: see page BASIC CONCEPTS AIR CURTAINS.



Market stalls

Dimensions (mm)



Air distance/speed



CR-6/9 N

Power selector and speed remote fitted with the fan to control up to 5 units of the same model in series. The combinations of the following models can be controlled with a single remote control:

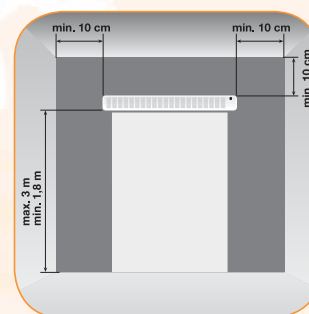
- COR F-1000 N with COR-F-1500 N
- COR-6-1000 N with COR-9-1500 N

Accessories



CR-AUTOMATIC

Power and speed selector for manual or automatic control (Winter or Summer mode). Door switch included. For more information, see air curtains accessories.



Installation height

Technical characteristics

Model	Voltage (50 Hz) (V)	Heat power (kW)	Motor power (W)	Speeds	Airflow (m ³ /h)			Air output speed* (m/s) at 0,05 m	Maximum ΔT (°C)			Sound pressure level** (dB(A))	Abs. current (A)	Thermal fuse	Ambient thermostat connection	Ambient / Hot air	Weight (kg)	Colour	
					Speed				Speed										
					High	Medium	Low		High	Medium	Low								
COR-F-1000 N	230		100	2	1420	1090		10,5				48	0,5				A	15,2	White RAL 9003
COR-F-1500 N	230		200	2	2675	2060		10,5				50	0,8				A	20	White RAL 9003
COR-3,5-1000 N	230	3,5	100	3	1384	1070	640	10	9	11	18	48	15,5	•	•	A/H	15,8	White RAL 9003	
COR-6-1000 N	3N 400	3 / 6	100	3	1384	1070	750	10	14	18	26	48	8,6	•	•	A/H	15,8	White RAL 9003	
COR-9-1000 N	3N 400	4,5 / 9	100	3	1295	1130	970	10	20	25	30	48	8,6	•	•	A/H	15,8	White RAL 9003	
COR-9-1500 N	3N 400	4,5 / 9	200	3	2545	1960	1180	10	13	15	25	50	13	•	•	A/H	20,8	White RAL 9003	
COR-12-1500 N	3N 400	6 / 12	120	3	2500	1900	1100	10	18	20	30	49	13	•	•	A/H	22	White RAL 9003	
COR-18-2000 N	3N 400	9 / 18	200	3	2600	2250	1980	10	20	25	30	49	17	•	•	A/H	30	White RAL 9003	

* Caudal máximo

** Medido a 3 m de distancia, en campo libre